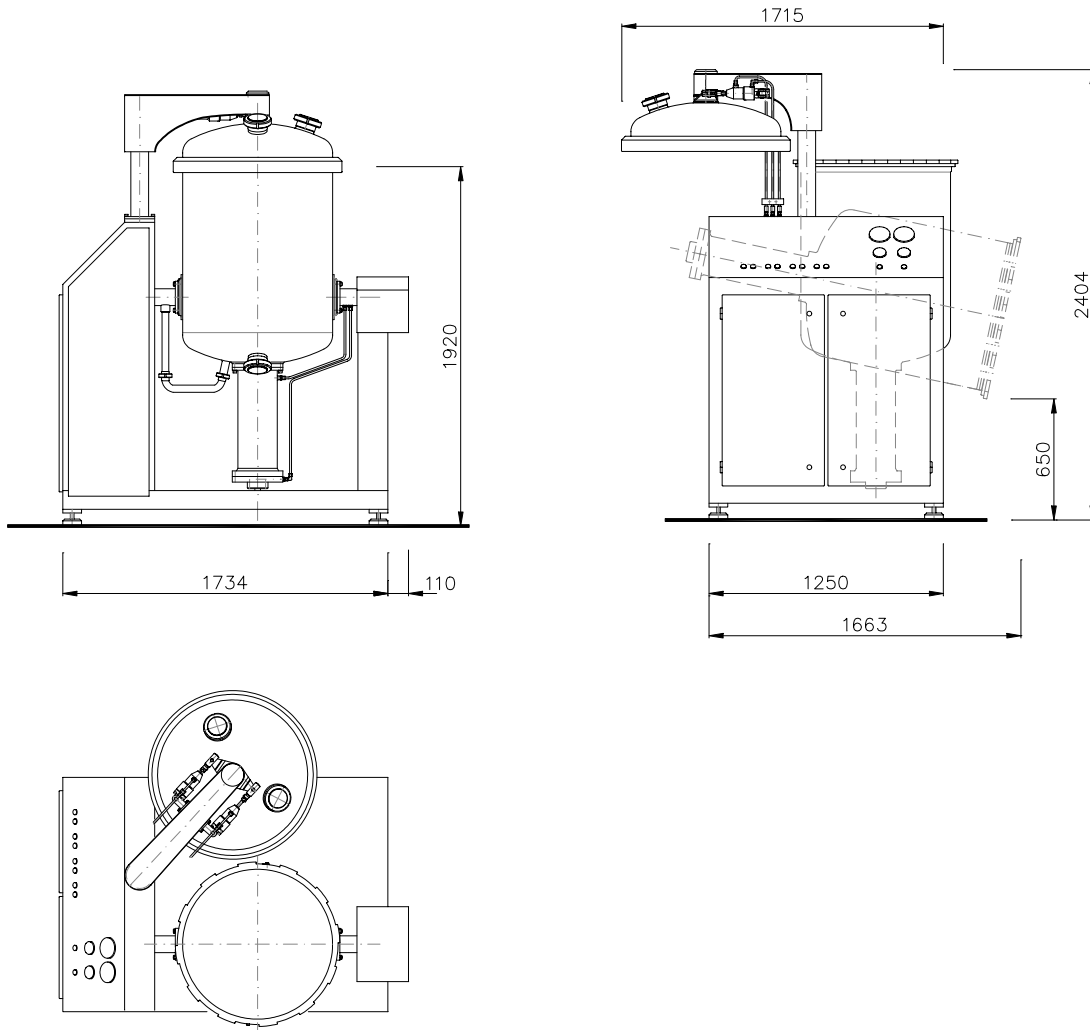


TECHNICAL DATA

TYPE: DIG-MAZ 500



Type:	DIG-MAZ 500	
Extraction tank:	500 liters	Herbs volume
Make-up water:	5 bar	8 l/h
Steam / Hot water:	17 kW	max 120°C
Compressed air:	6 bar	4 m ³ /h
Power supply:	3x400 V / 50 Hz	
Power consumption:	4 kW	